

QUAD•DRILL™



NEW Larger sizes to 3-1/4"

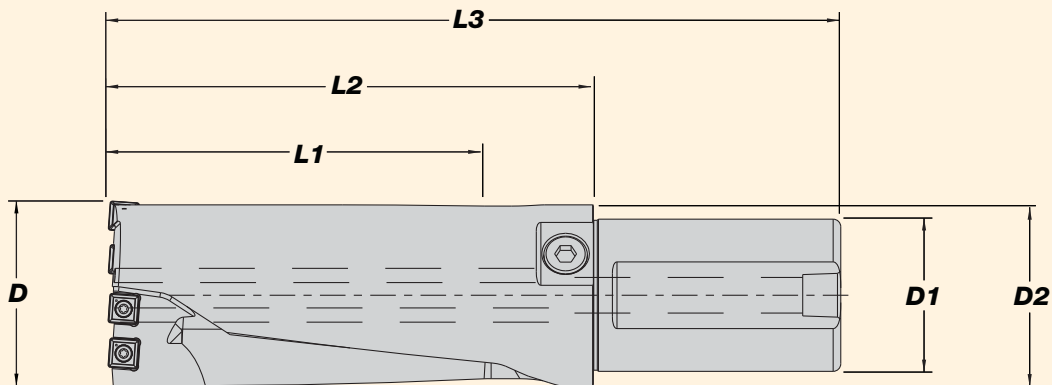
Ingersoll Cutting Tools is pleased to announce the further expansion of the Quad•Drill line of indexable drills. Ingersoll is now offering nine new standard drill sizes, all larger than 2-inch diameter. The new drills are available starting at 2-1/8" diameter. These drills are now offered in a 4xD length to diameter ratio.

The new larger diameter Quad•Drill can increase our customers productivity by as much as 30% when compared to the old Ingersoll "A" drills. The new large diameter Quad•Drills further enhance ingersoll's growing reputation for having the best indexable drilling line-up in the market.

These drills utilize the same size quad inserts as the other standard Quad•Drills in this line, each drill is designed with four insert stations. Finally, stock standard 4xD Quad•Drills, in larger diameters.



QUADODRILL™



Ingersoll Number	Item Number	D	D-mm	L1	L2	L3	D1	D2
Q0539216N8R01	3200020	2.125	54.0	8.50	10.00	13.25	2" Univ.	2.37
Q0571229N8R01	3200021	2.250	57.2	9.00	10.50	13.75		2.37
Q0603241N8R01	3200022	2.375	60.3	9.50	11.25	14.50		2.37
Q0635254N8R01	3221051	2.500	63.5	10.00	11.38	14.63		2.38
Q0666267N8R01	3200023	2.625	66.7	10.50	12.00	15.25		2.50
Q0698279N8R01	3200024	2.750	69.9	11.00	12.50	15.75		2.63
Q0730292N8R01	3200025	2.875	73.0	11.50	13.00	16.25		2.72
Q0762305N8R01	3200026	3.000	76.2	12.00	13.50	16.75		2.85
Q0825330N8R01	3200027	3.250	82.6	13.00	14.50	17.75		3.13

Ingersoll Number	D	Insert	Insert Screw	#Inserts	Coolant Inlets
Q0539216N8R01	2.125	SPLT07T308N-PH	SM25-064-00	4	1/4" NPT
Q0571229N8R01	2.250	SHLT090408N-PH1	SM35-088-60		
Q0603241N8R01	2.375	SHLT090408N-PH1			
Q0635254N8R01	2.500	SHLT090408N-PH1			
Q0666267N8R01	2.625	SHLT090408N-PH1	SM40-093-20		
Q0698279N8R01	2.750	SHLT110408N-PH1			
Q0730292N8R01	2.875	SHLT110408N-PH1			
Q0762305N8R01	3.000	SHLT110408N-PH1	SM50-122-50		
Q0825330N8R01	3.250	SPLT140512N-PH			