

T-Clamp goes Modular!



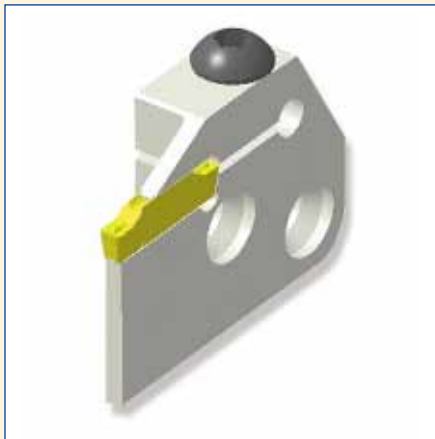
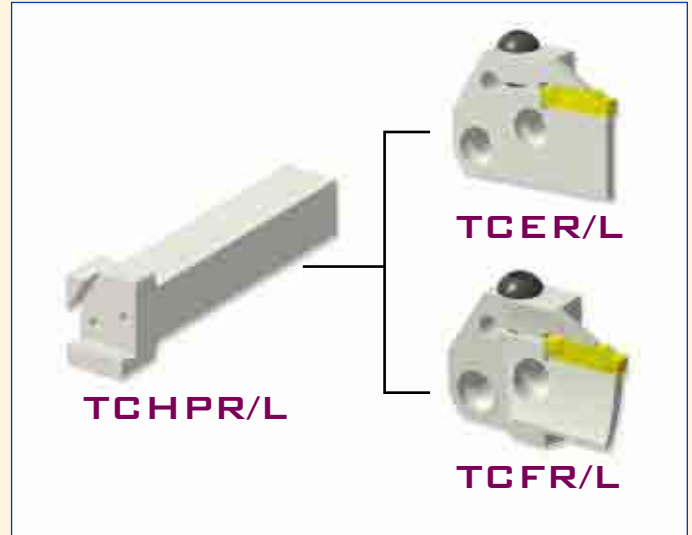
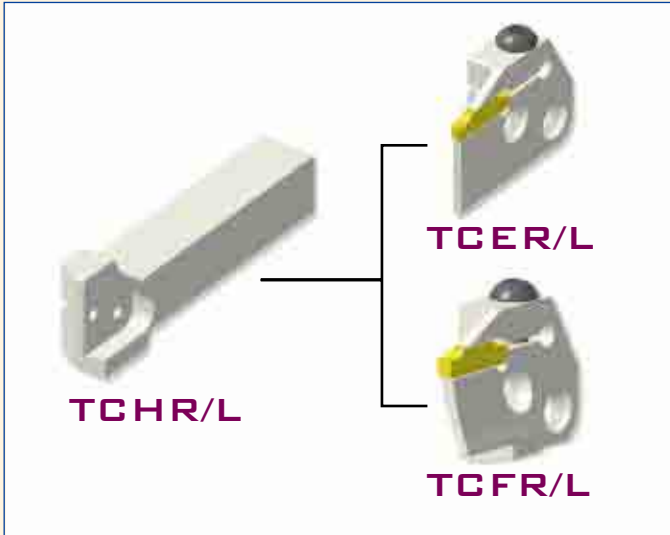
Increased flexibility and improved productivity with the new modular T-clamp design

The addition of modular adapters to the T-Clamp multifunction system will reduce costs and tooling requirements. The tool has the capacity to accept a wide range of adapters for many different external grooving, turning, parting off and face machining applications.

The adapters are made to use single or double end **T-Clamp Ultra Plus** inserts, and have a strong and precise pocket location with exceptional repeatability and performance on both high precision and heavy machining applications.

FEATURES

TCER/L and TCFR/L adapters can be mounted on both parallel and perpendicular holders.



TCER/L

RANGE OF INSERT

TCER/L: 3mm, 4mm, 5mm, 6mm, 8mm



TCFR/L

RANGE OF MACHINING DIAMETER

TCFR/L 3... : D1.57 inch - D7.87 inch

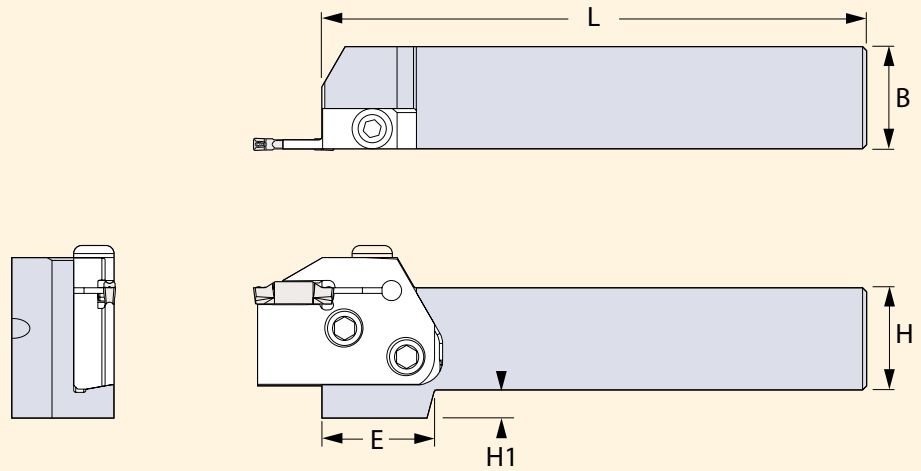
TCFR/L 4... : D1.97 inch - D9.84 inch

TCFR/L 5... : D2.17 inch - D11.81 inch

TCFR/L 6... : D2.36 inch - D15.75 inch

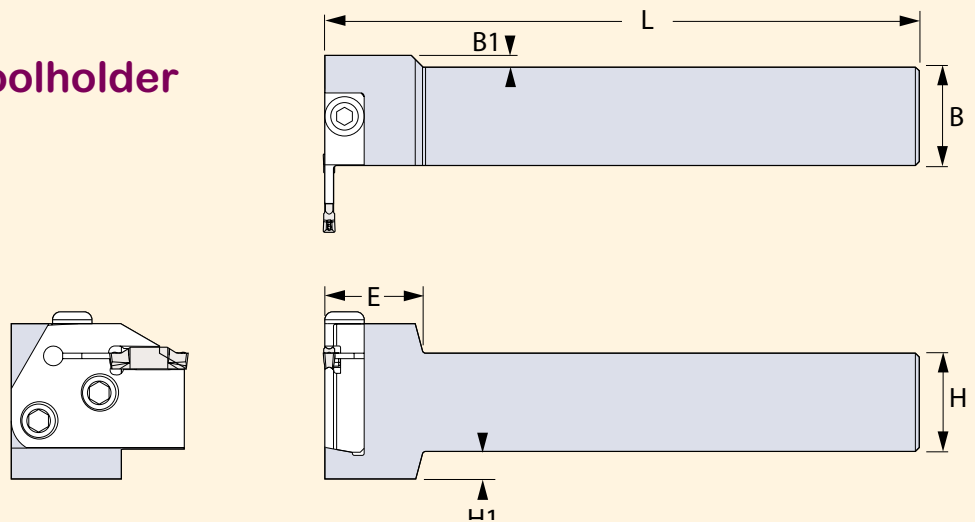
SPECIFICATION OF HOLDERS

TCHR/L
Parallel Toolholder



Designation	H	B	L	E	H1	Clamp Screw	Wrench
TCHR/L 25.4	1.0	1.0	5.24	1.10	.28	TS 60190I	L-W4

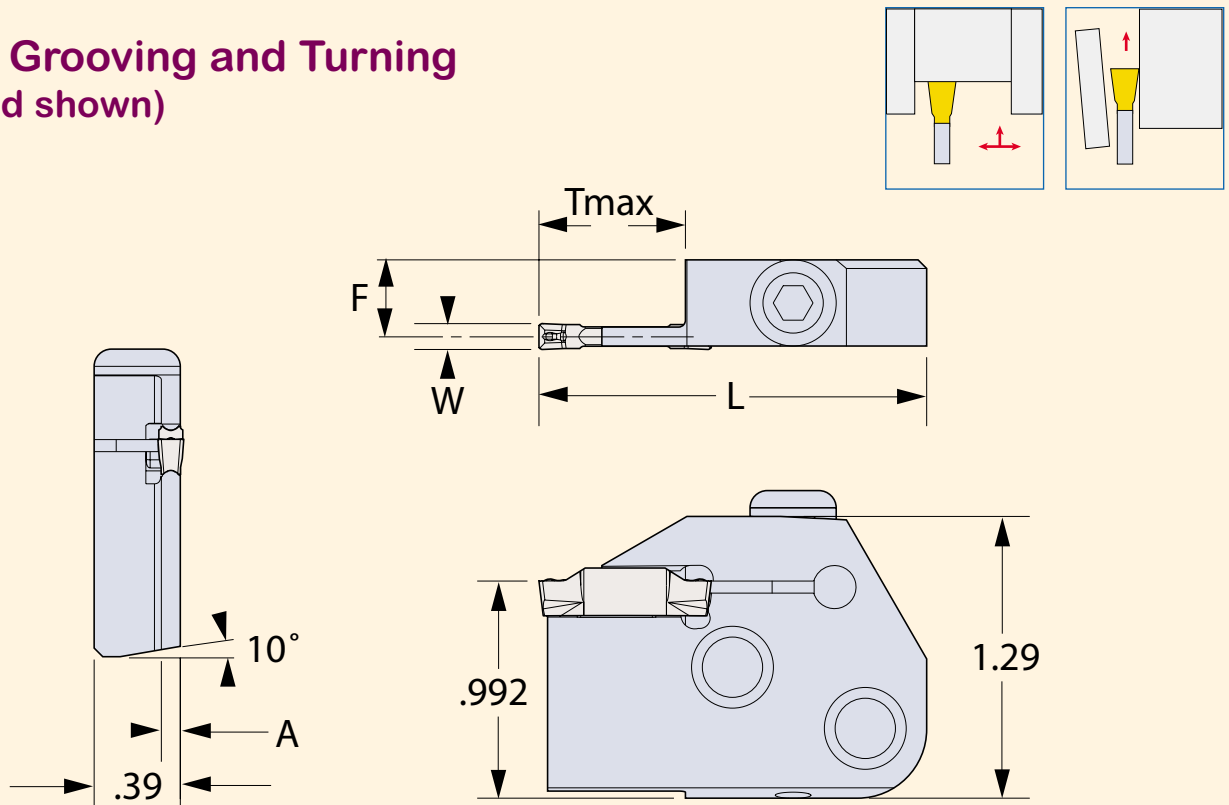
TCHPR/L
Perpendicular Toolholder



Designation	H	B	L	E	B1	H1	Clamp Screw	Wrench
TCHPR/L 25.4	1.0	1.0	5.90	.98	.12	.28	TS 60190I	L-W4

SPECIFICATION OF ADAPTERS

TCER/L
External Grooving and Turning
 (right hand shown)



Designation	L	A	F	W	Tmax	Screw	Wrench
TCER/L 3T16	1.77	.087	.350	.094-.126	.63	BH M6XIX20	L-W4
TCER/L 4T16	1.77	.118	.335	.127-.165	.63		
TCER/L 5T20	1.97	.157	.315	.166-.204	.78		
TCER/L 6T20	1.97	.197	.295	.205-.244	.78		
TCER/L 8T25	2.17	.236	.276	.245-.322	.98		

SPECIFICATION OF ADAPTERS

TCFR/L
Face Grooving and Turning
 (right hand shown)

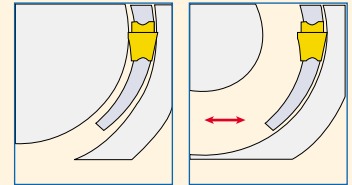


Figure 1

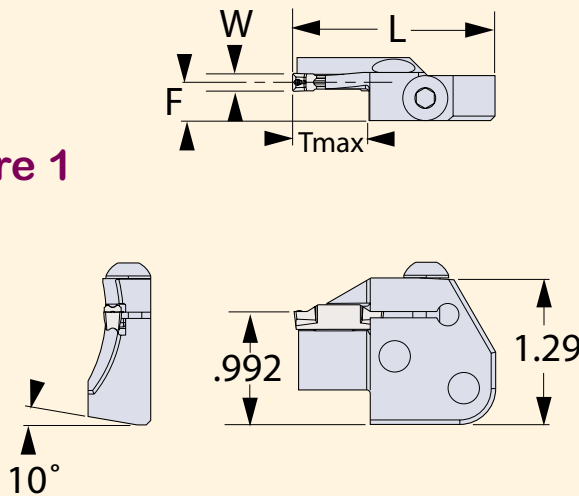
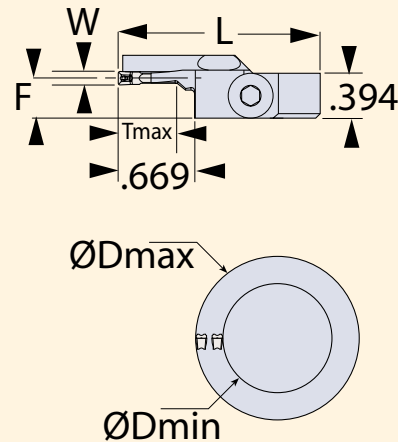
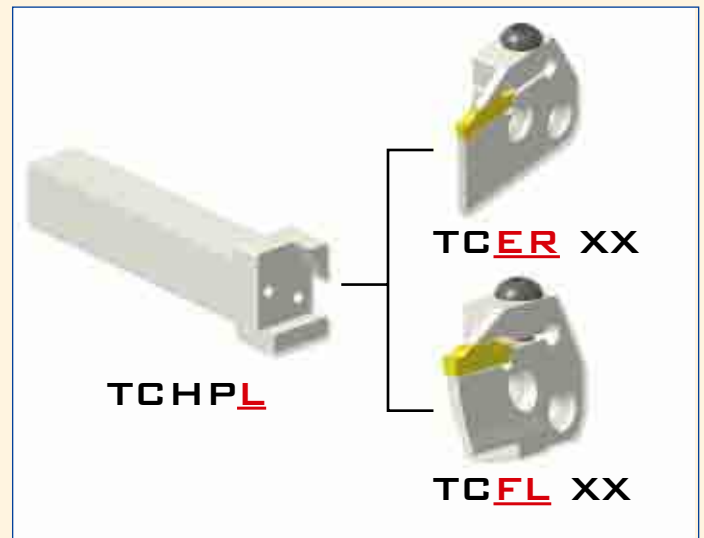
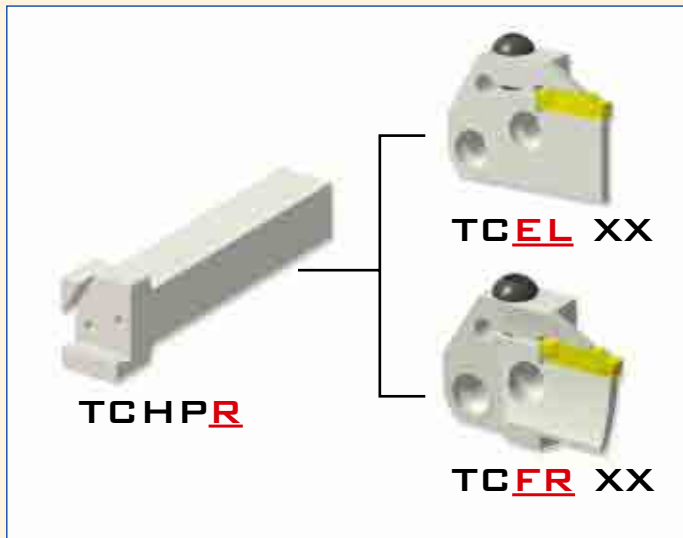
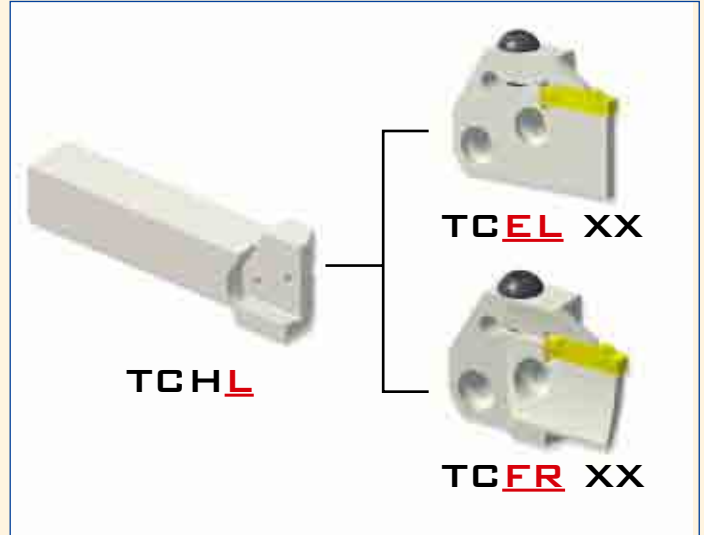


Figure 2



Designation	L	F	W	Tmax	ØDmin	ØDmax	Screw	Wrench	Figure						
TCFR/L 3T12-40-55 RN	1.77	.350	.11	.472	1.57	2.17	BH M6X1X120	L-W4	Fig 2						
TCFR/L 3T12-55-75 RN					2.17	2.95									
TCFR/L 3T12-75-100 RN					2.95	3.94									
TCFR/L 3T12-100-140 RN					3.94	5.51									
TCFR/L 3T12-140-200 RN					5.51	7.87									
TCFR/L 4T16-50-70 RN	1.77	.335	.15	.630	1.97	2.76			BH M6X1X120	L-W4	Fig 1				
TCFR/L 4T16-70-100 RN					2.76	3.94									
TCFR/L 4T16-100-150 RN					3.94	5.91									
TCFR/L 4T16-150-250 RN					5.91	9.84									
TCFR/L 5T20-55-80 RN	1.97	.315	.19	.787	2.17	3.15						BH M6X1X120	L-W4	Fig 1	
TCFR/L 5T20-80-120 RN					3.15	4.72									
TCFR/L 5T20-120-180 RN					4.72	7.09									
TCFR/L 5T20-180-300 RN					7.09	11.81									
TCFR/L 6T25-60-90 RN	2.17	.295	.23	.984	2.36	3.54	BH M6X1X120	L-W4							Fig 1
TCFR/L 6T25-90-150 RN					3.54	5.91									
TCFR/L 6T25-150-250 RN					5.91	9.84									
TCFR/L 6T25-250-400 RN					9.84	15.75									

ADAPTER AND HOLDER SELECTION



AVAILABLE STOCK ITEMS

Holders

TCHR/L 25.4

TCHPR/L 25.4

Adapters

External Machining

TCER/L 3T16

TCER/L 4T16

TCER/L 5T20

TCER/L 6T20

TCER/L 8T25

Face Machining

TCFR/L 3T12-40-55 RN

TCFR/L 4T16-50-70 RN

TCFR/L 5T20-55-80 RN

TCFR/L 6T25-60-90 RN

TCFR/L 3T12-55-75 RN

TCFR/L 4T16-70-100 RN

TCFR/L 5T20-80-120 RN

TCFR/L 6T25-90-150 RN

TCFR/L 3T12-75-100 RN

TCFR/L 4T16-100-150 RN

TCFR/L 5T20-120-180 RN

TCFR/L 6T25-150-250 RN

TCFR/L 3T12-100-140 RN

TCFR/L 4T16-150-250 RN

TCFR/L 5T20-180-300 RN

TCFR/L 6T25-250-400 RN

TCFR/L 3T12-140-200 RN