

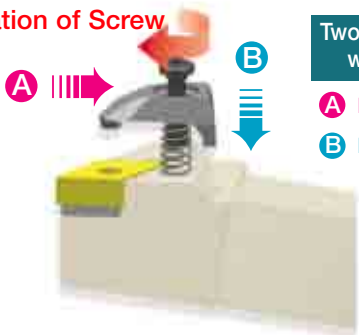
New

T-type Tool Holders

for Strong Clamping and Longer Tool-Life.

» Clamping Action

Rotation of Screw



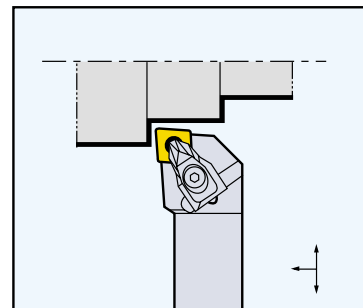
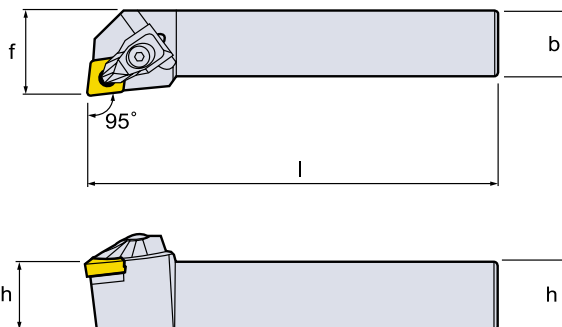
Two directional force with one action

- A** Pull Back Force
- B** Downward Force

» Features

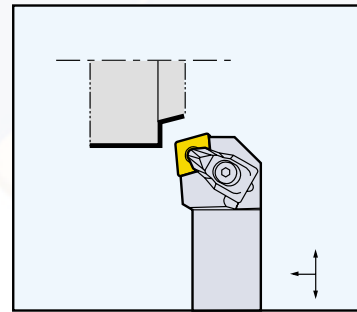
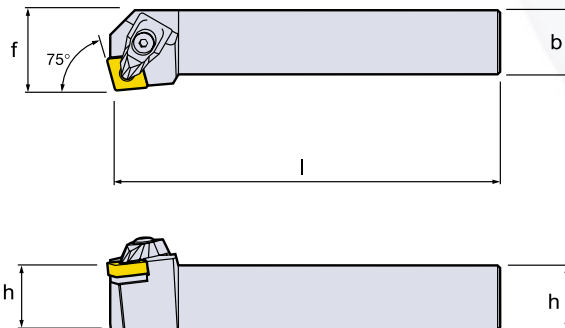
- Accurate indexability thanks to its very secure insert clamping.
- Insert does not move while machining even at high feed or in heavy interrupted cut.
- Required action for clamping the insert is very simple.
- Increased insert tool life.








■ For Negative 80° Rhombic Inserts



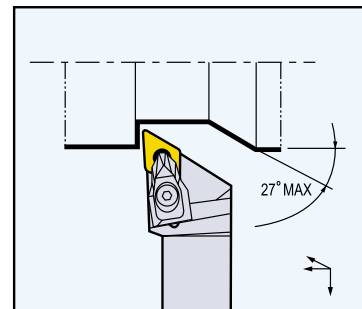
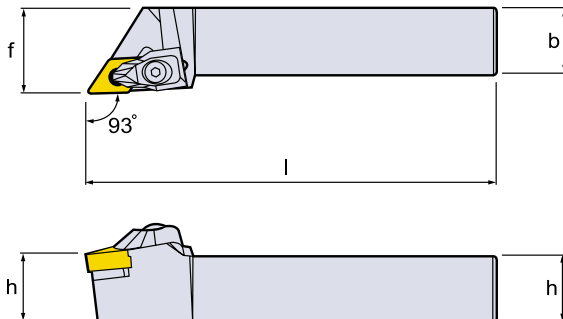
Designation	Stock		Dimension (inch)				Insert	Components					
	R	L	h	b	l	f		Clamp	Clamp Screw	Shim	Shim Screw	Spring	Wrench
TCLNR/L 12-4B	●	●	0.75	0.75	4.5	1.00	 CNM□ 43.						
TCLNR/L 16-4D	●	●	1.00	1.00	6.0	1.25		DLM 4	DLS 4	LSC 42	SM50-122-50	DSP 4	L-W 3
TCLNR/L 20-4D	●	●	1.25	1.25	6.0	1.5							




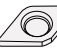






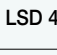
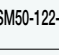


■ For Negative 80° Rhombic Inserts



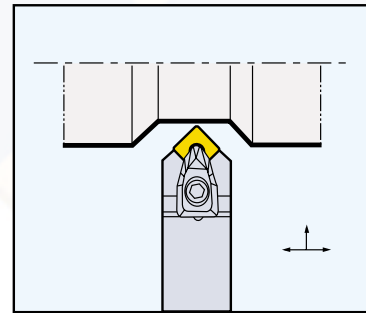
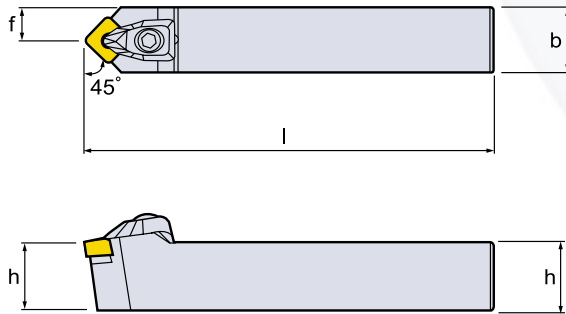
Designation	Stock		Dimension (inch)				Insert	Components					
	R	L	h	b	l	f		Clamp	Clamp Screw	Shim	Shim Screw	Spring	Wrench
TCKNR/L 16-4D	●	●	1.00	1.00	6.0	1.25							

■ For Negative 55° Rhombic Inserts



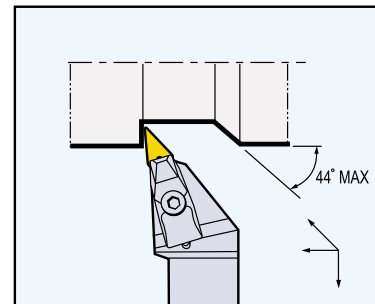
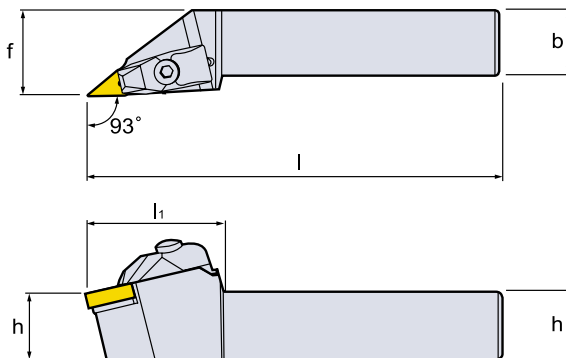
Designation	Stock		Dimension (inch)				Insert	Components					
	R	L	h	b	l	f		Clamp	Clamp Screw	Shim	Shim Screw	Spring	Wrench
TDJNR/L 12-4B	●	●	0.75	0.75	4.5	1.00							
TDJNR/L 16-4D	●	●	1.00	1.00	6.0	1.25	DNM □ 43.	DLM 4	DLS 4	LSD 43	SM50-122-50	DSP 4	L-W 3
TDJNR/L 12-44B	●	●	0.75	0.75	4.5	1.00							
TDJNR/L 16-44D	●	●	1.00	1.00	6.0	1.25	DNM □ 44.	DLM 4	DLS 4	LSD 42	SM50-122-50	DSP 4	L-W 3
TDJNR/L 20-4D	●	●	1.25	1.25	6.0	1.5	DNM □ 43.	DLM 4	DLS 4	LSD 43	SM50-122-50	DSP 4	L-W 3

■ For Negative Square Inserts



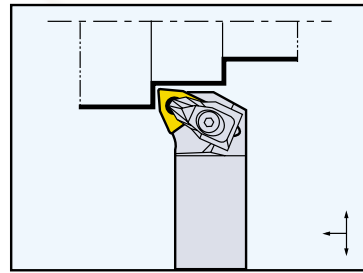
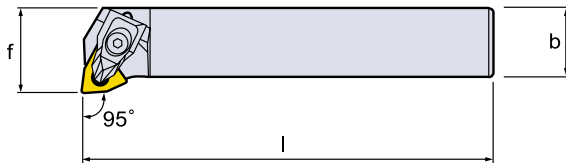
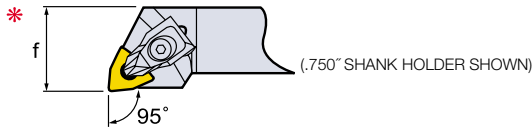
Designation	Stock	Dimension (inch)				Insert	Components					
		h	b	l	f		Clamp	Clamp Screw	Shim	Shim Screw	Spring	Wrench
TSDNN 12-4B	●	0.75	0.75	4.5	0.375	SNM□ 43.						
TSDNN 16-4D	●	1.00	1.00	6.0	0.500							

■ For Negative 35° Rhombic Inserts



Designation	Stock		Dimension (inch)					Insert	Components											
	R	L	h	b	l	l ₁	f		Clamp	Clamp Screw	Shim	Shim Screw	Spring	Wrench						
TVJNR/L 12-3C	●	●	0.75	0.75	5.0	1.93	1.00	VNM□ 33.												
TVJNR/L 16-3D	●	●	1.00	1.00	6.0	1.93	1.25								DLM 3-V16	DLS 5	IVSN 324	SC 4-SH	DSP 5	L-W 4
TVJNR/L 20-3D	●	●	1.25	1.25	6.0	1.93	1.5													

■ For Negative 80° Trigon Inserts



Designation	Stock		Dimension (inch)				Insert	Components					
	R	L	h	b	l	f		Clamp	Clamp Screw	Shim	Shim Screw	Spring	Wrench
* TWLNR/L 12-4B	●	●	0.75	0.75	4.5	1.00	WNM□ 43.						
TWLNR/L 16-4D	●	●	1.00	1.00	6.0	1.25							

● In Stock